

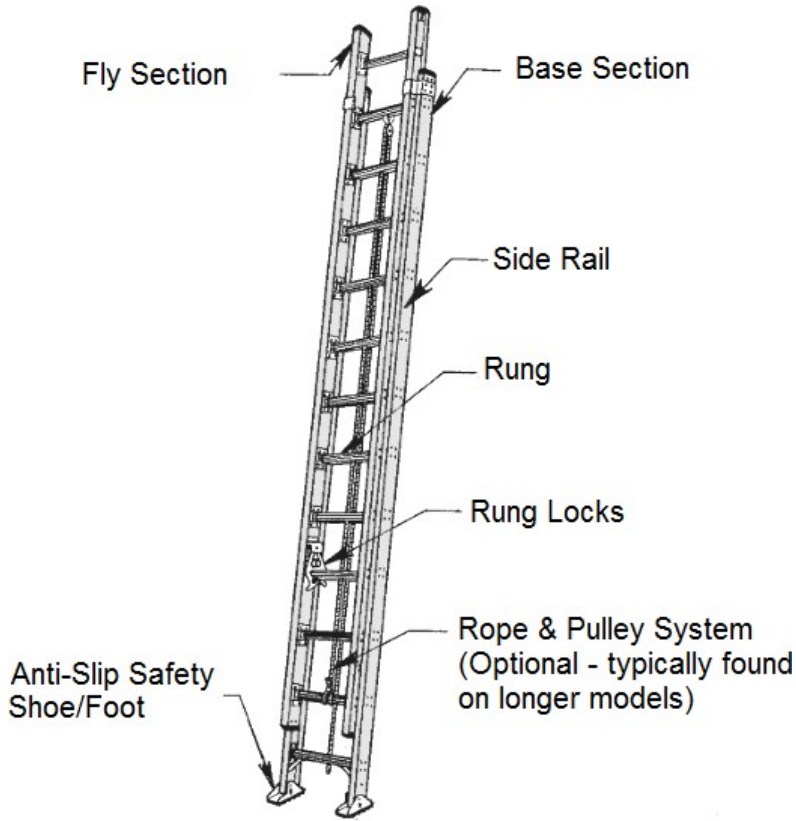


City of Miami Gardens - Building Services Division

18605 NW 27th Avenue
Miami Gardens, Florida 33054

APPROVED LADDERS AT JOB SITE

Notice to all Contractors and/or Home Owners: As a precautionary measure, the City of Hialeah Building Department shall enforce the use of proper OSHA approved ladders at all job sites for all inspections with NO EXCEPTIONS. A fine of **\$120.00** will be issued to any Contractor and/or Home Owner for any non-compliant ladder at time of inspection. Please follow OSHA Safety and Health Regulations for Construction Standards 1926.1053.



Extension Ladder

- Use a ladder that can sustain at least four times the maximum intended load. Follow the manufacturer's instructions and labels on the ladder. To determine the correct ladder, consider your weight plus the weight of your load. Do not exceed the load rating and always include the weight of all tools, materials and equipment.
- Ladders should be visually inspected before use for any defects such as: missing rungs, bolts, cleats, screws and loose components. Where a ladder has these or other defects, it must be immediately marked as defective or tagged with "Do Not Use" or similar language.
- Allow sufficient room to step off the ladder safely. Keep the area around the bottom and the top of the ladder clear of equipment, materials and tools.
- Set the ladder at the proper angle. When a ladder is leaned against a wall, the bottom of the ladder should be one-quarter of the ladder's working length away from the wall. For access to an elevated work surface, extend the top of the ladder three feet above that surface.
- Set the base of the ladder so that the bottom sits securely and so both side rails are evenly supported. The ladder rails should be square to the structure against which it is leaning with both footpads placed securely on a stable and level surface.
- When using a ladder in a high-activity area, secure it to prevent movement and use a barrier to redirect workers and equipment. If a ladder is placed in front of a door, always block off door.

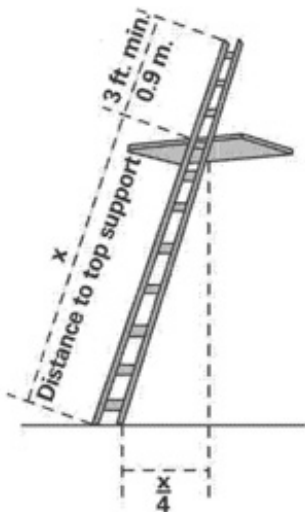


Figure A

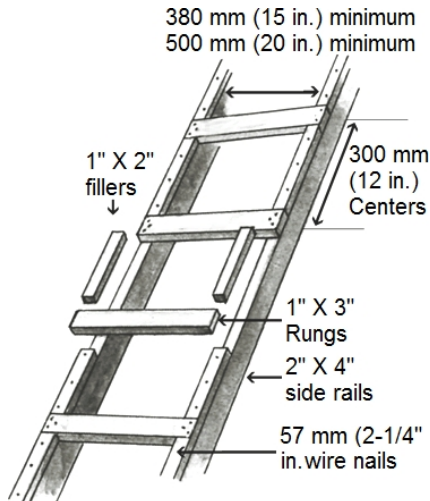


Figure B

PROVIDE the Right Extension Ladder for the Job with the Proper Load Capacity.

Select a ladder based on the expected load capacity (duty rating), the type of work to be done and the correct height. There are four categories of ladder duty ratings.

Type	Duty Rating	Use	Load
IAA	Specialty Duty	Rugged	375 lbs.
IA	Extra Duty	Industrial	300 lbs.
I	Heavy Duty	Industrial	250 lbs.
II	Specialty Duty	Commercial	225 lbs.

Figure A: Proper Extension Ladder placement.

Figure B: Approved wood frame ladder.